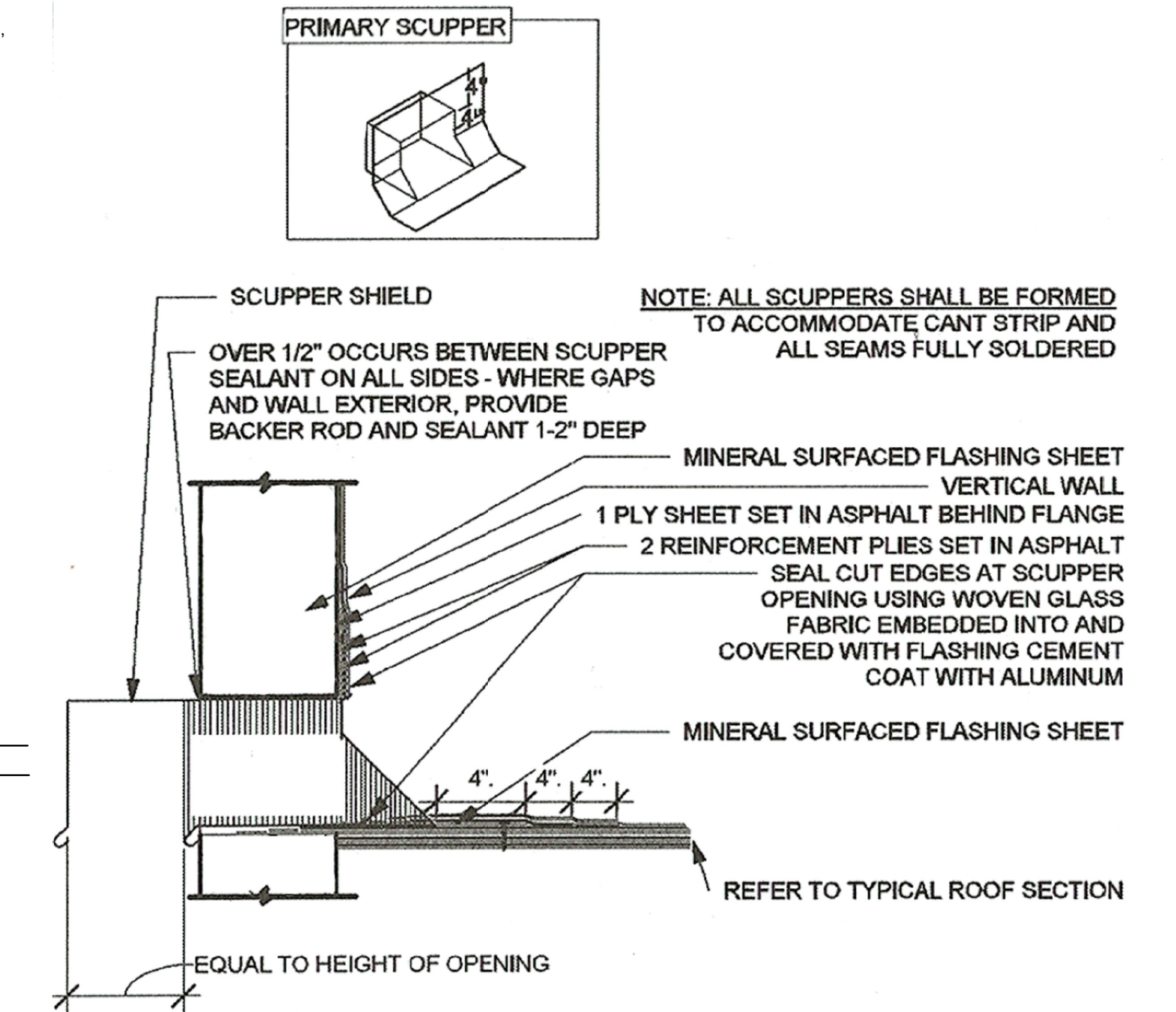
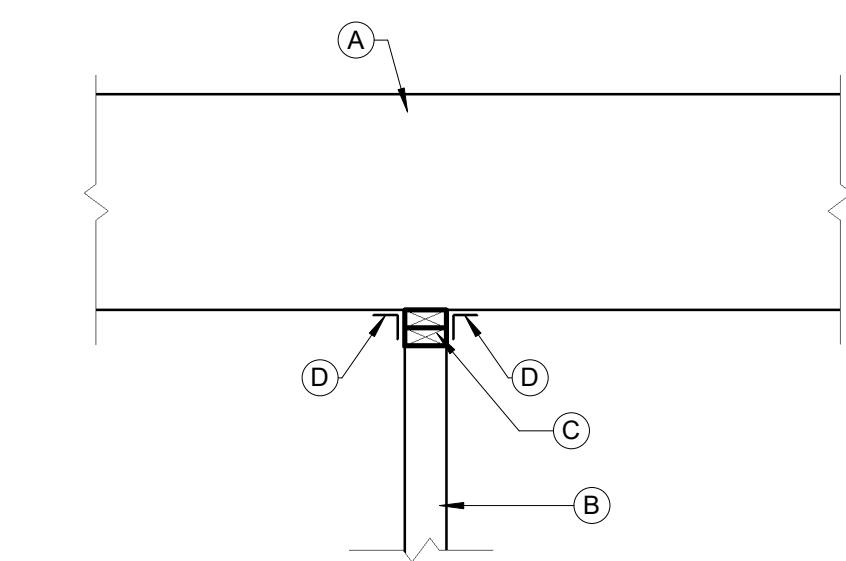


4 Drag Detail
3/4" = 1'-0"

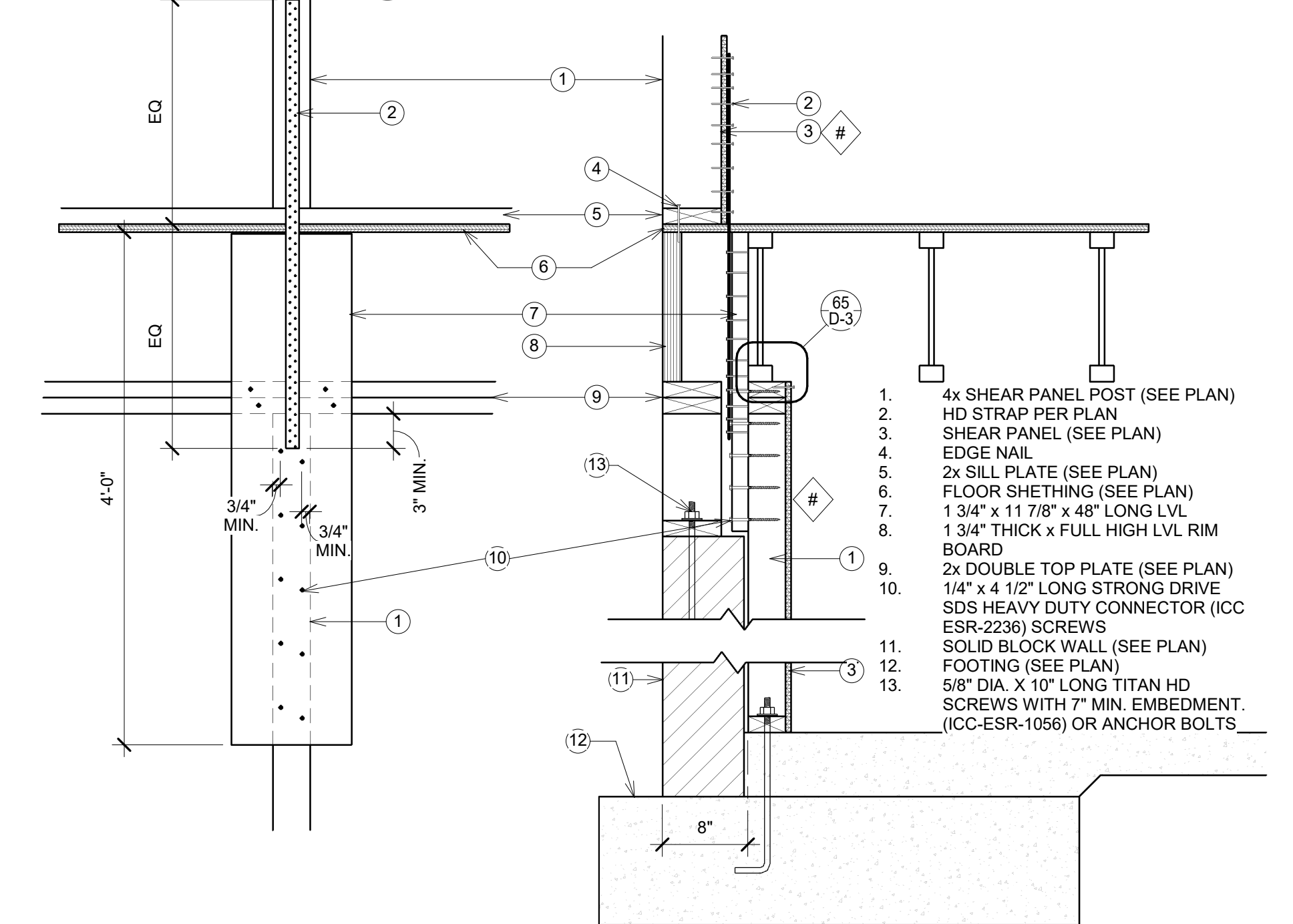


3 Scupper Detail

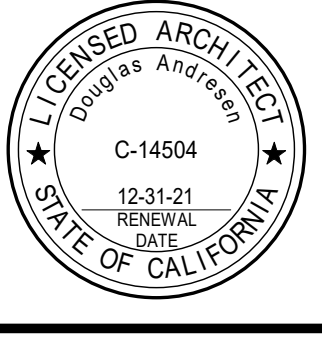
- A. BEAM (SEE PLAN)
- B. 2 x 4 STUD AT 16" O/C
- C. CONT. DOUBLE TOP PLATE
- D. A35 CLIPS ON BOTH SIDES



2 Top Plate / Beam Connection
3/4" = 1'-0"



1 Framing Detail
1" = 1'-0"

Proposed Custom Home For:		
Rodney and Brandy Arthur		
16733 La Bella Villa, Riverside, CA 92505		
21 Dec 2020		
19-3675		