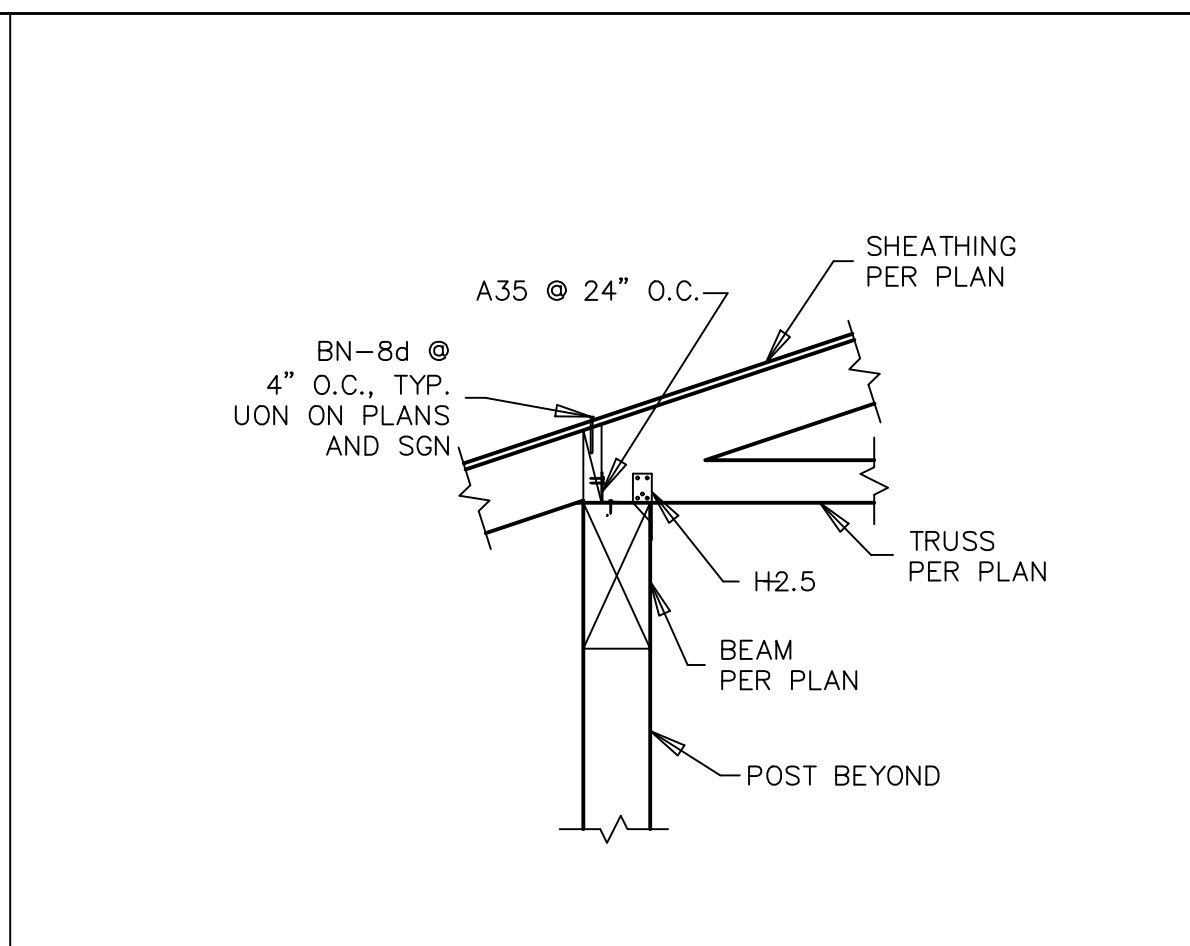


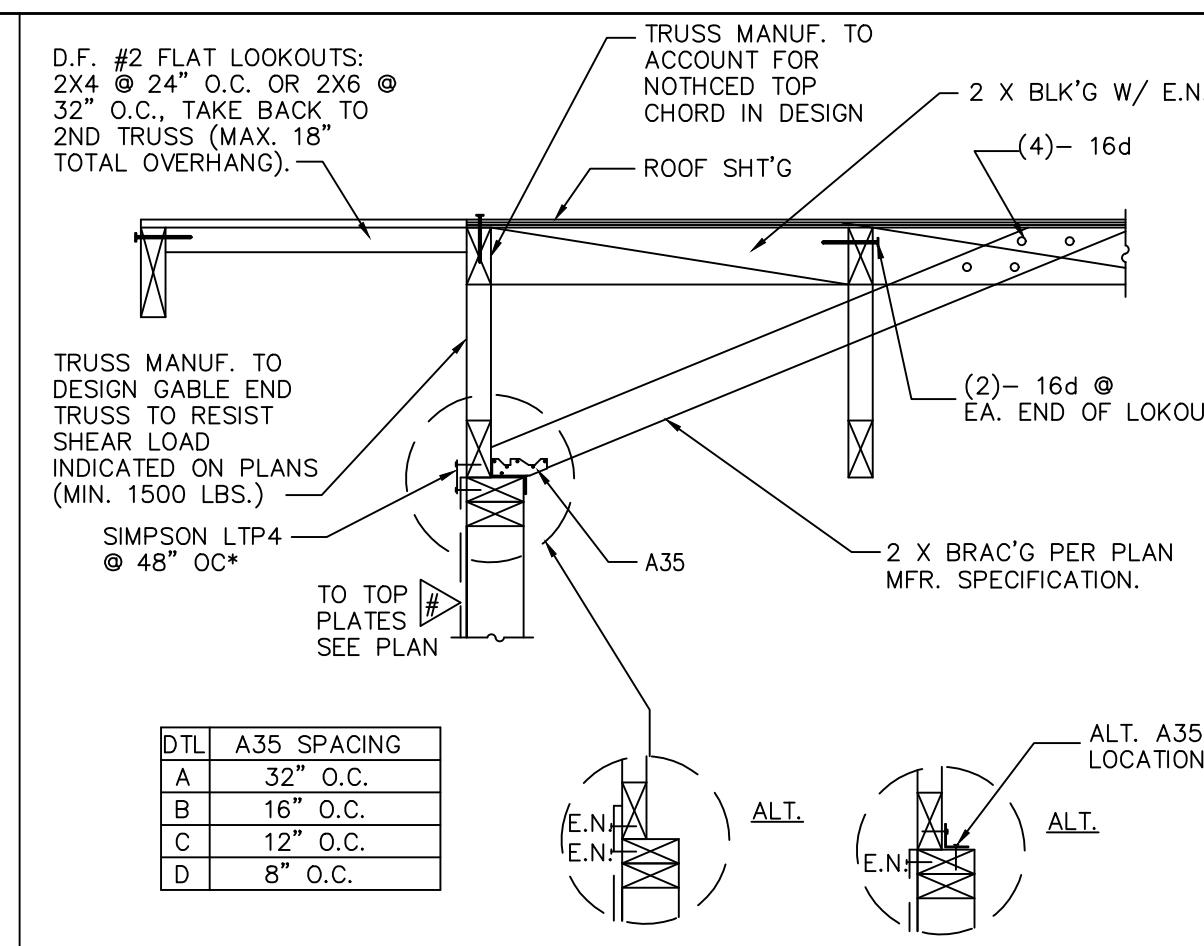
WALLS AT ROOF

1



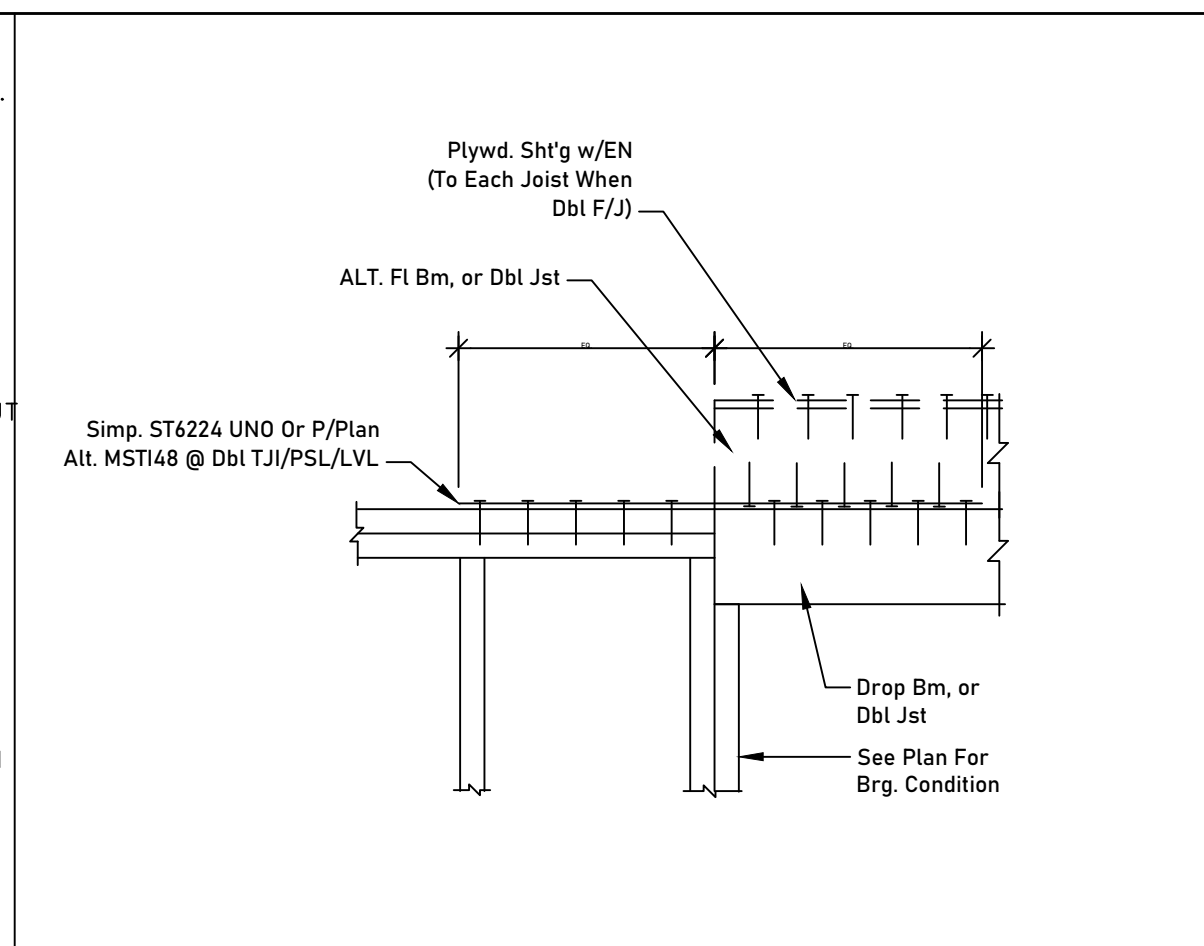
BEAM AT ROOF

2



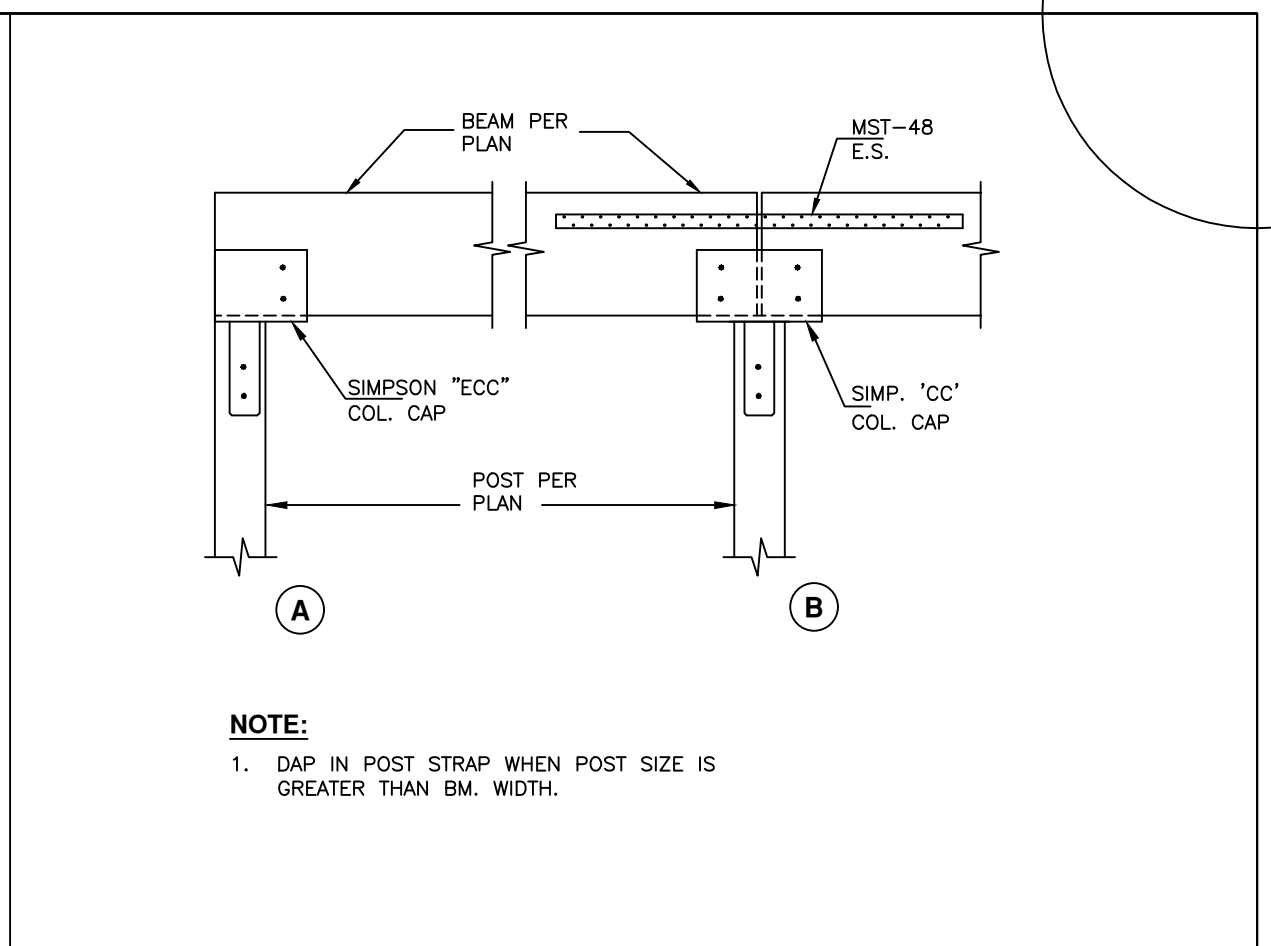
ROOF TRUSS AT GABLE END

3



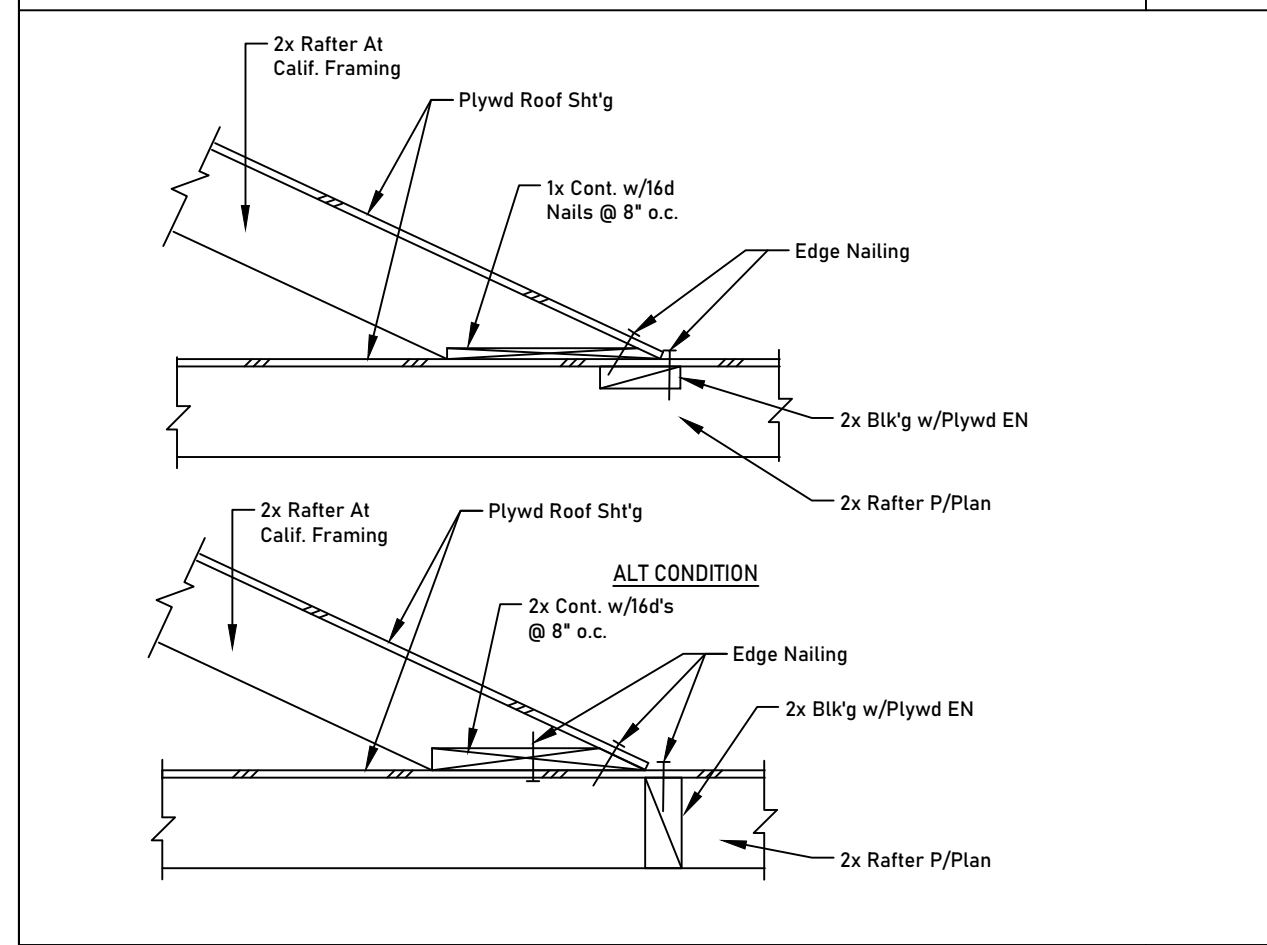
DRAG DETAIL

4



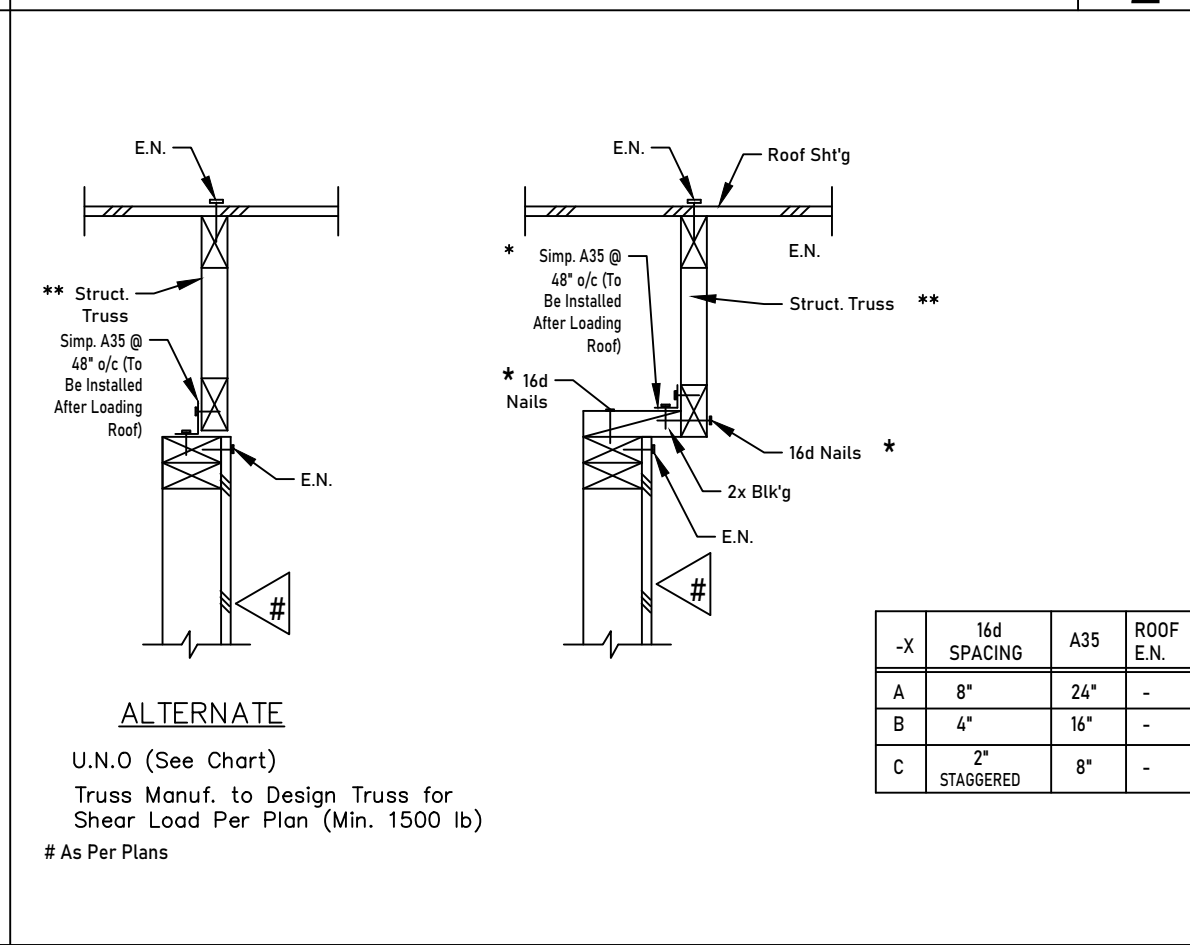
POST - BEAM CONNECTION

5



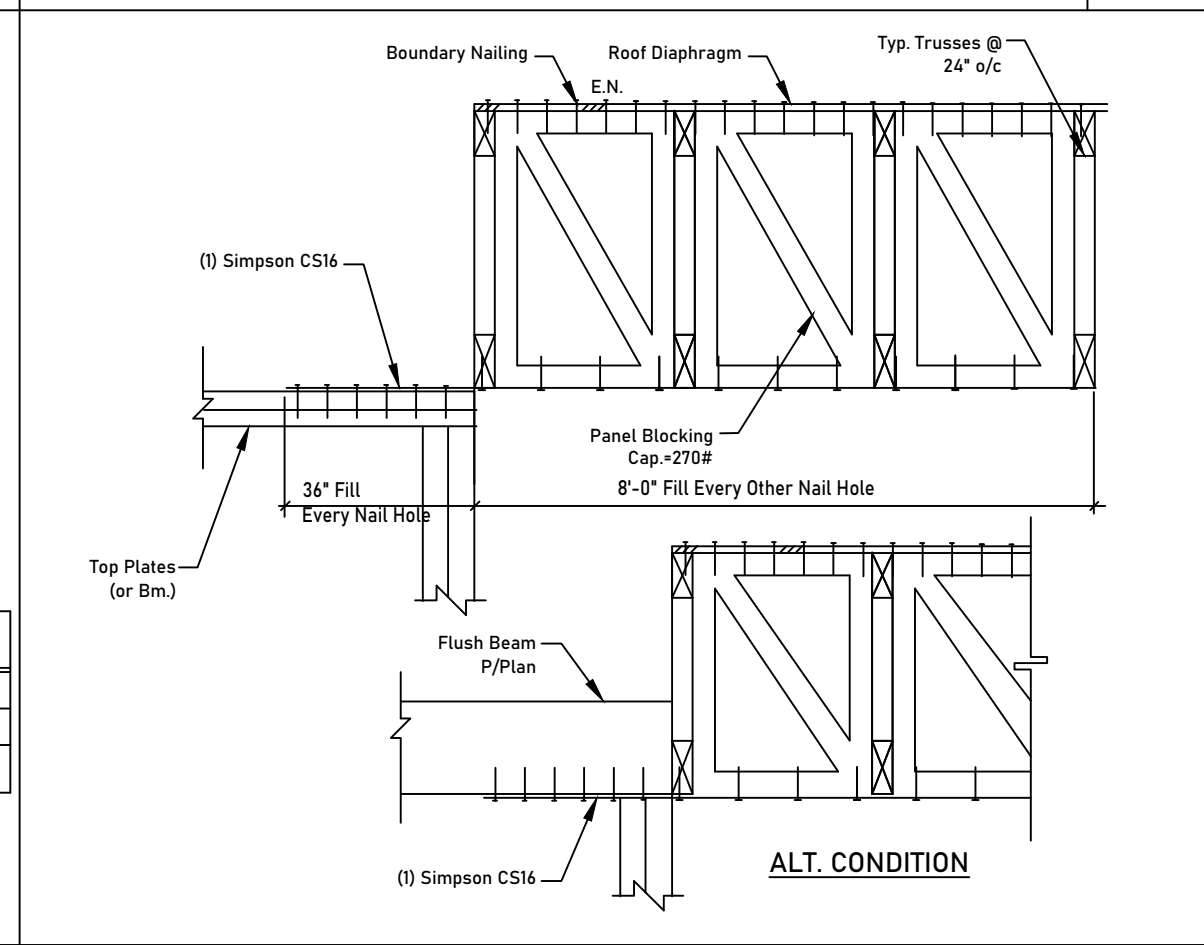
CALIFORNIA FRAMING DETAIL

6



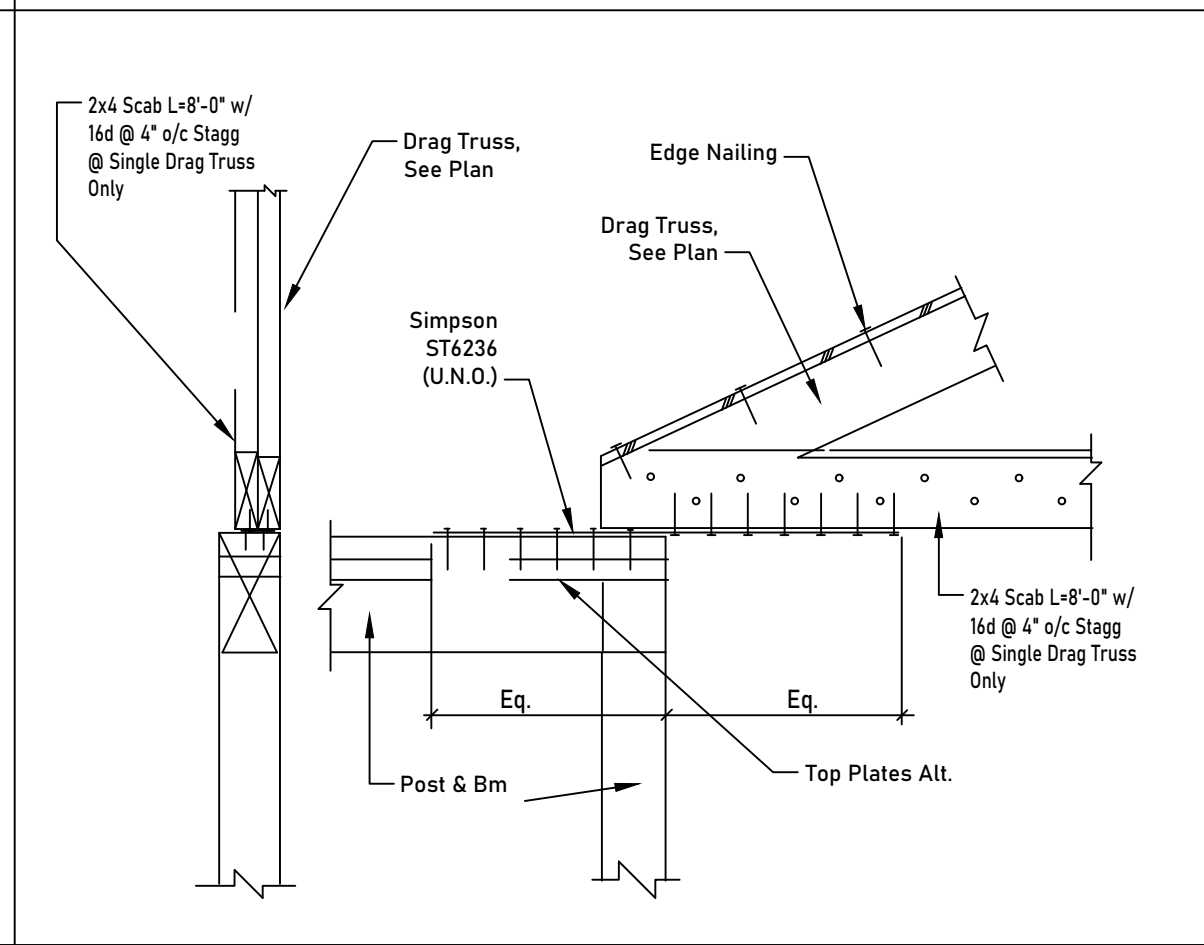
DRAG TRUSS SHEAR TRANSFER

7



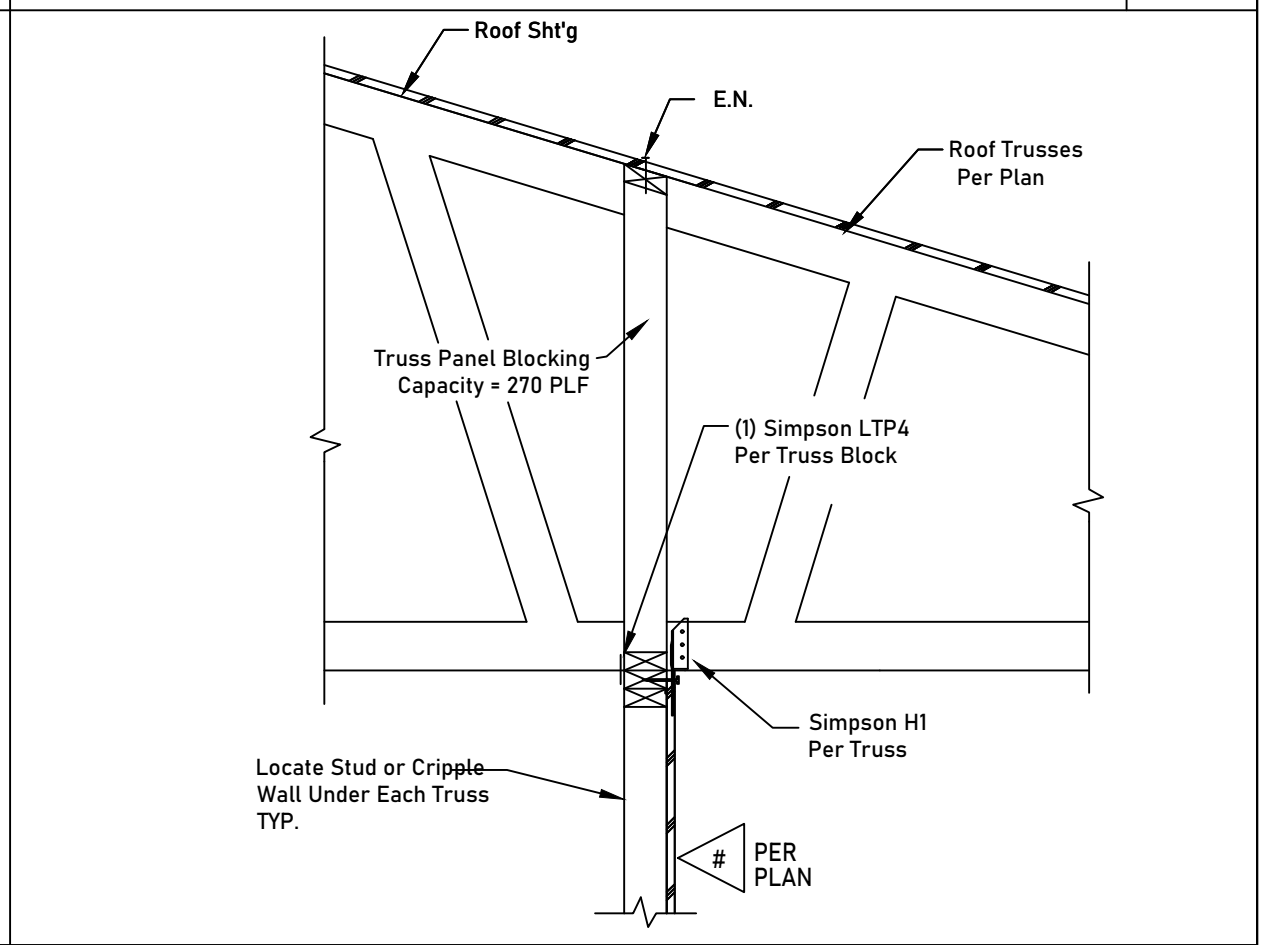
ROOF DRAG AT WALL

8



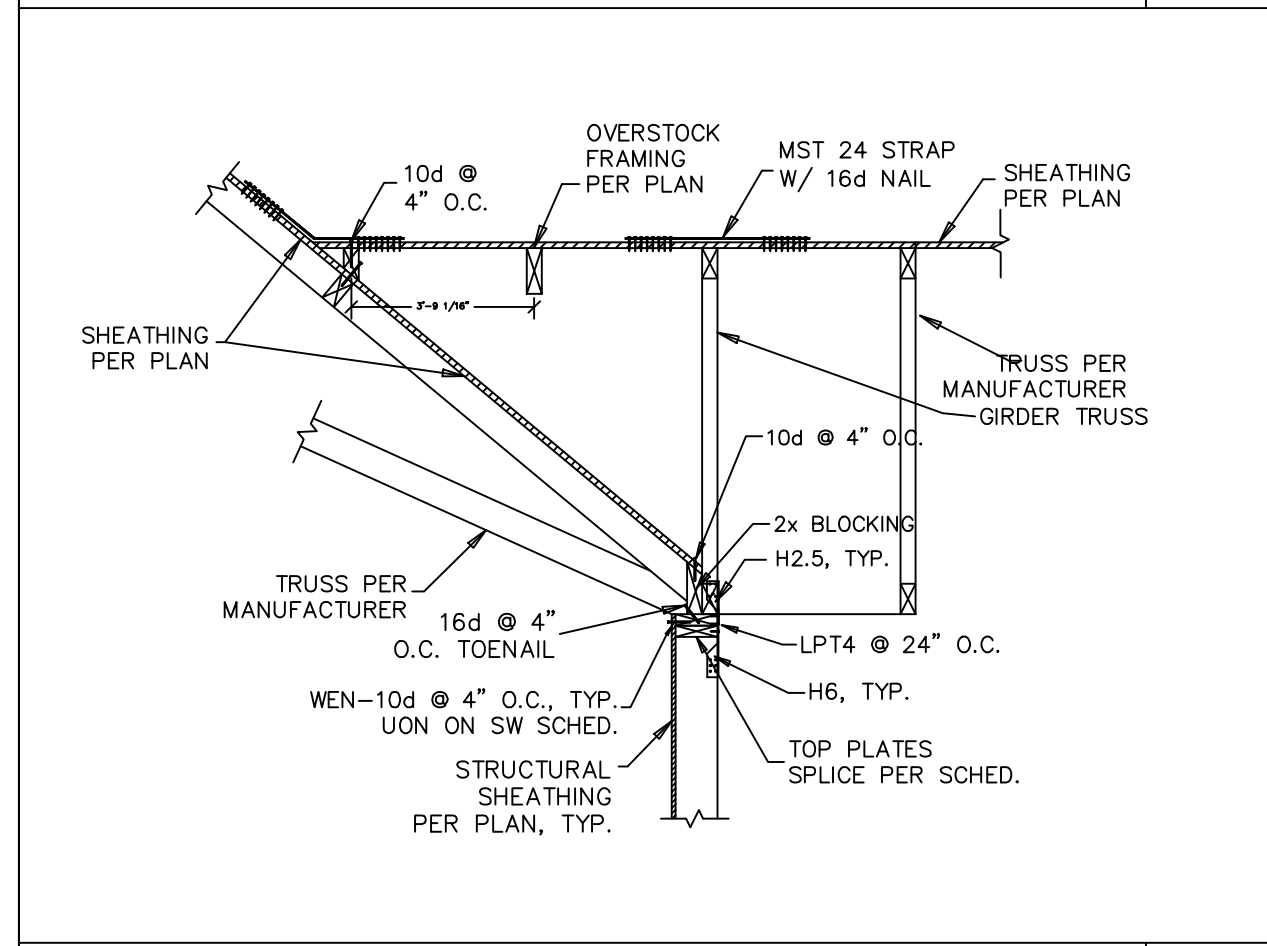
DRAG TIE TO TRUSS

9



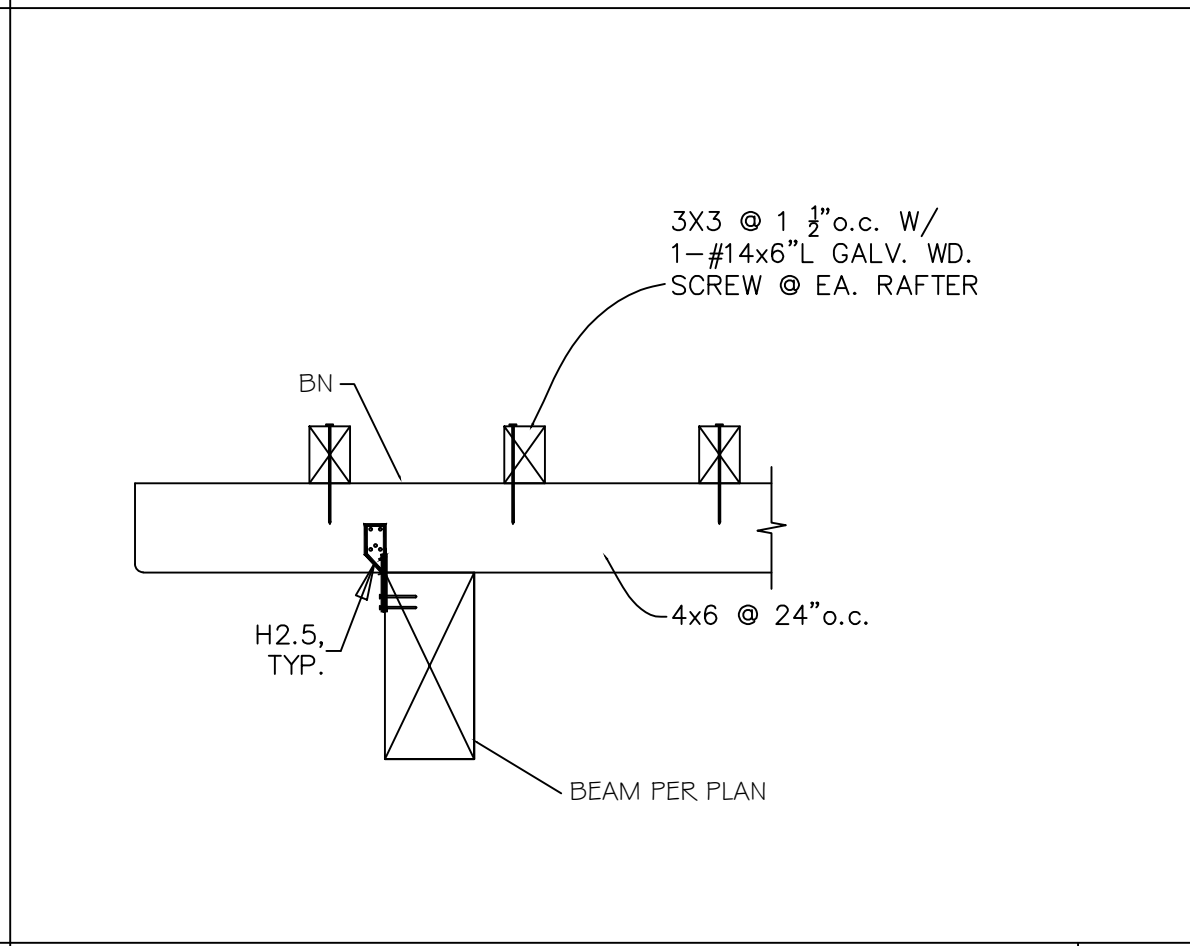
SHEAR TRANSFER

10



SCISSOR TRUSS ROOF CONNECTION AT WALL

11



TRELIS CONNECTION

12



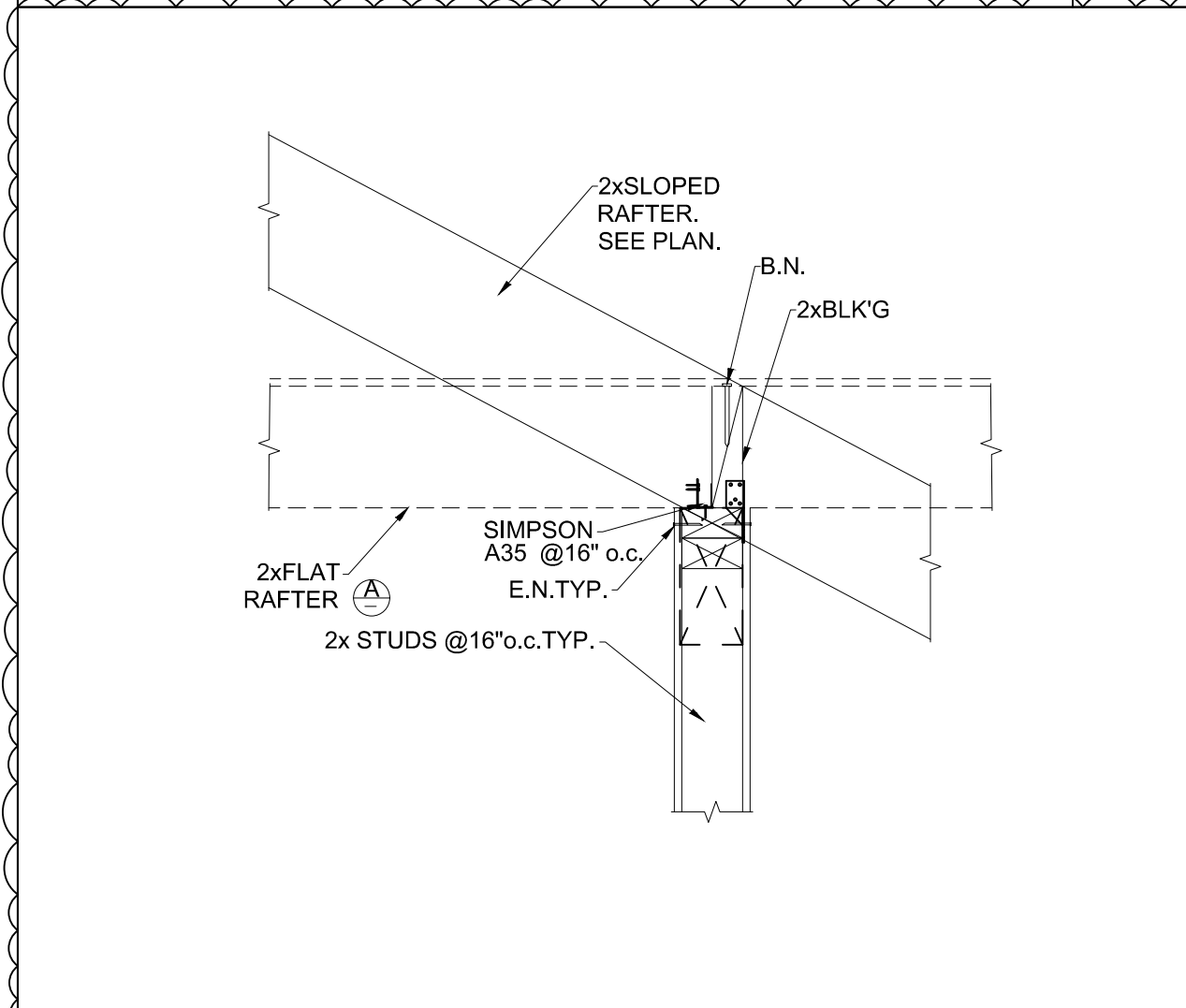
RAFTER AT WALL

13



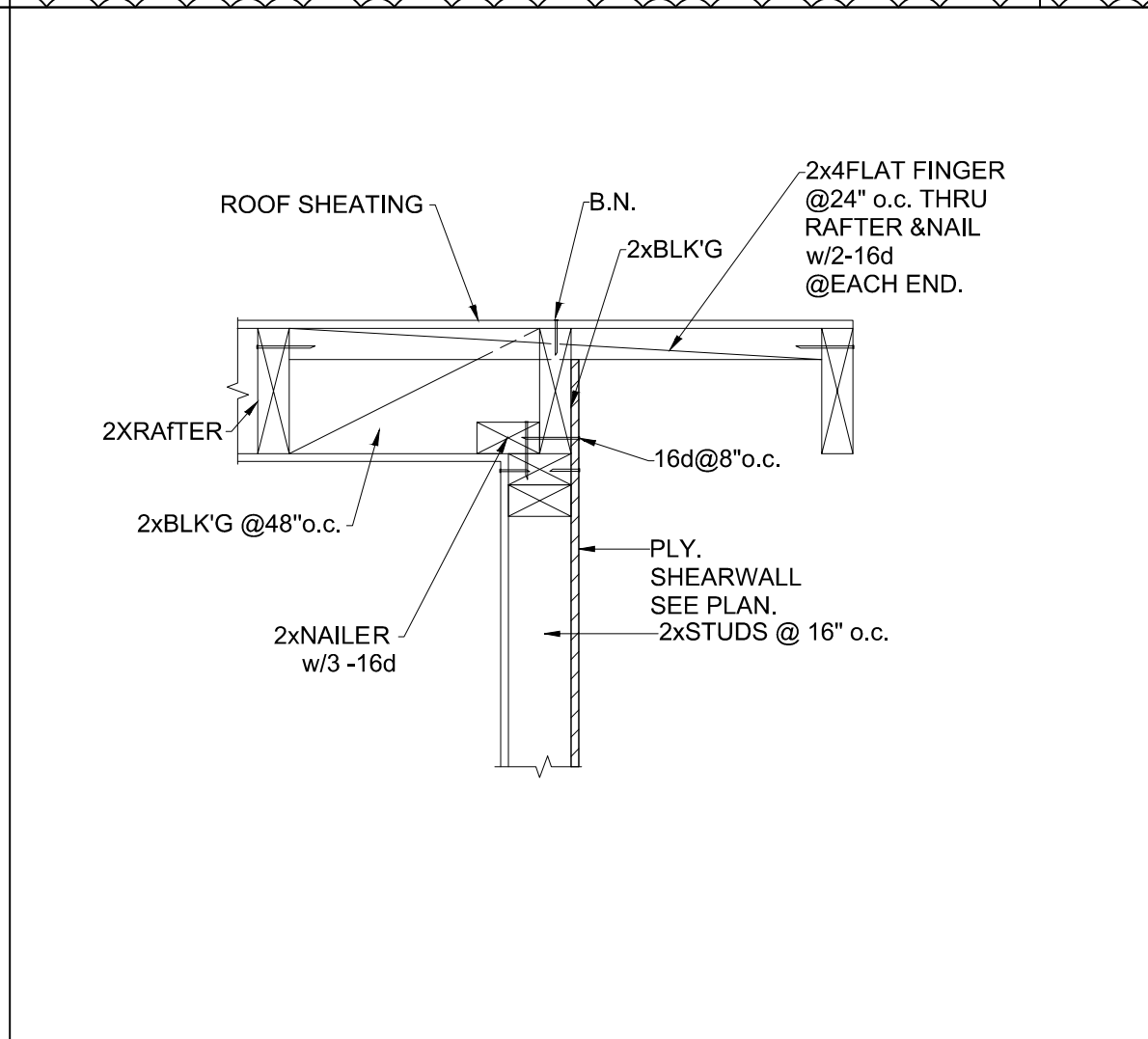
NON-LOAD BEARING WALL CONNECTION

14



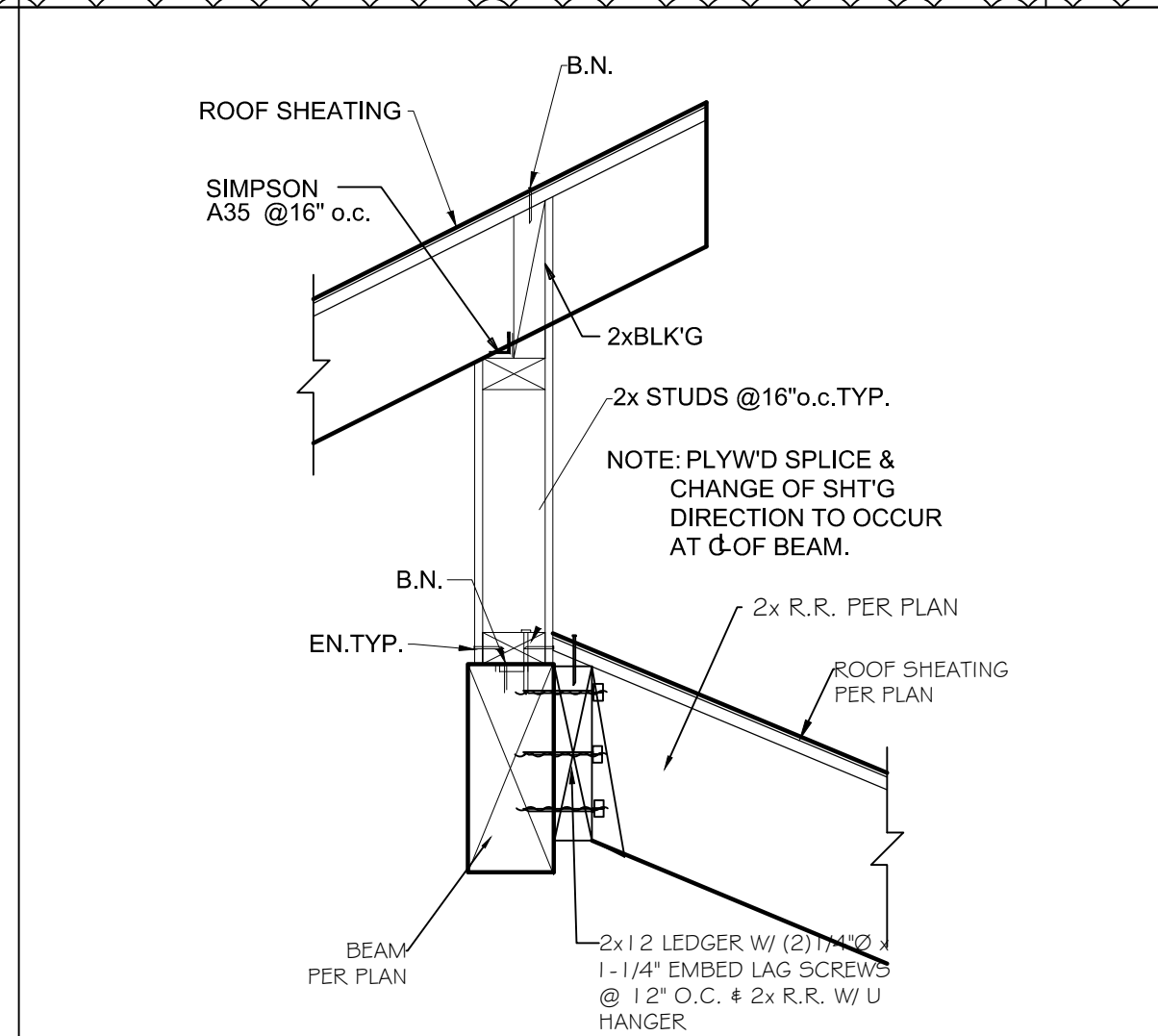
RAFTER AT WALL

16



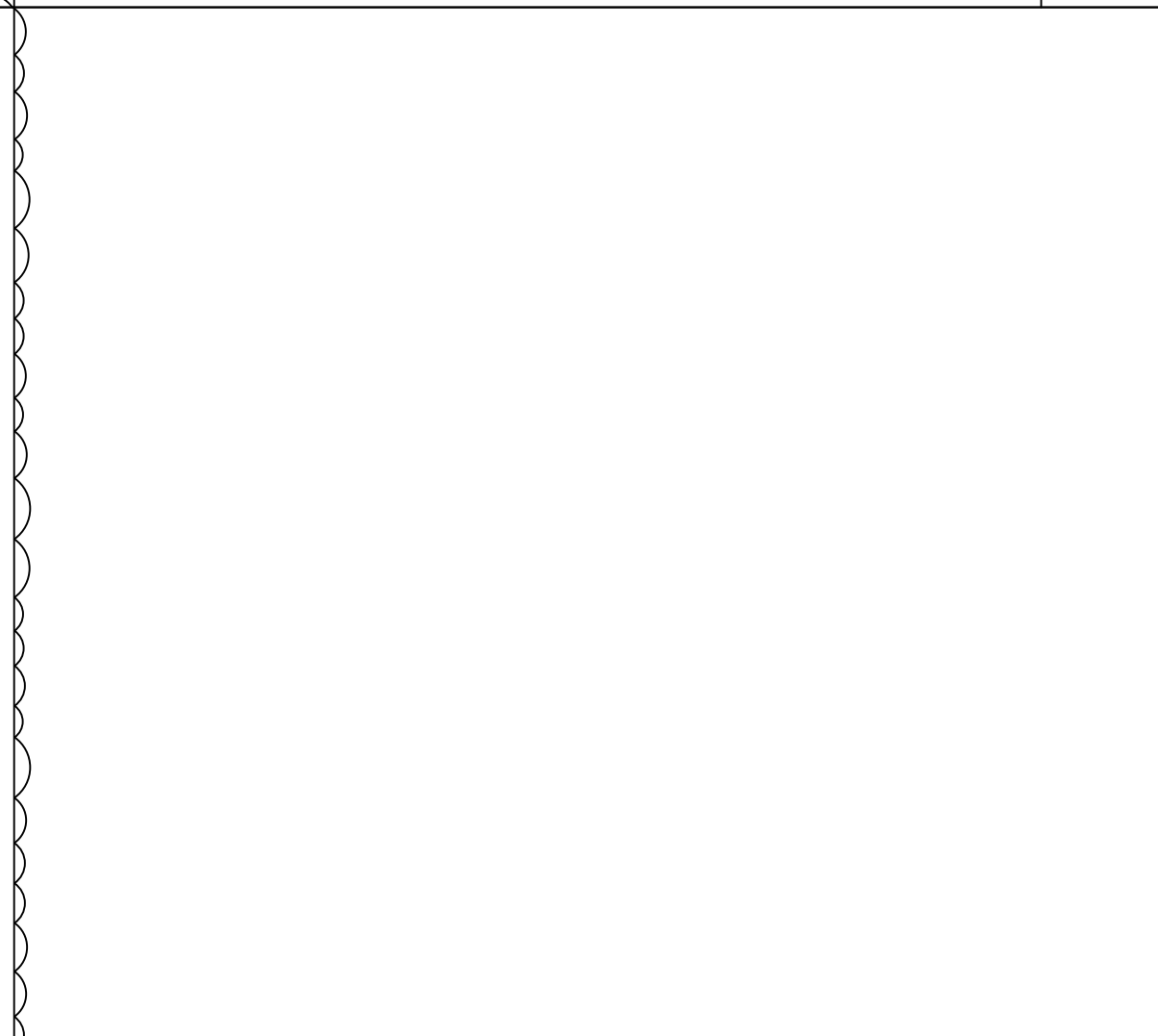
WALLS AT ROOF

17

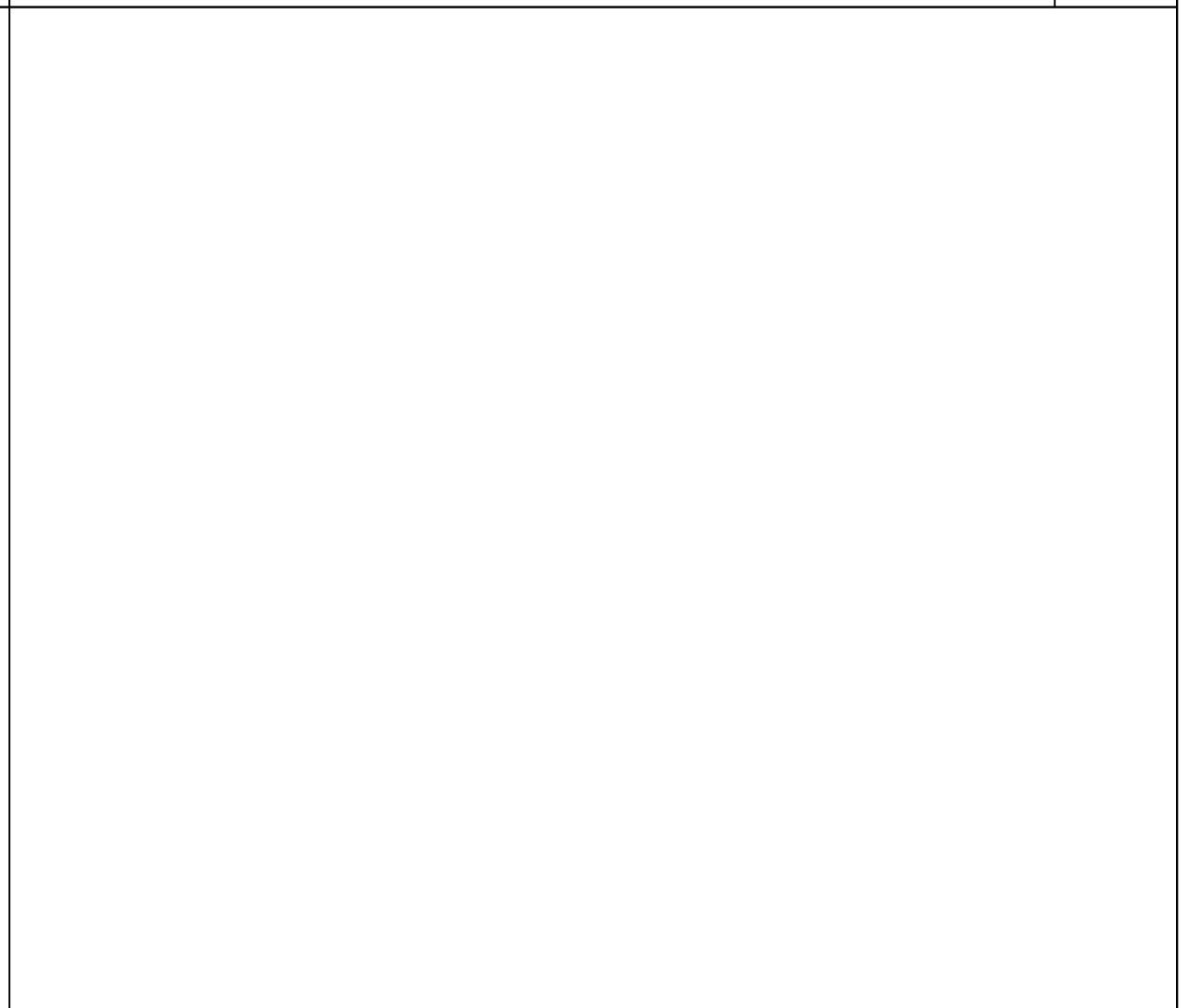


RAFTER AT WALL

18



19



20

REVISIONS:

MARK	DATE	CHANGES BY:

DRAWN BY: M.R.
DESIGN BY: M.R.
CHECK BY: M.R.

DATE: 02-17-2023

TITLE:
CONSTRUCTION DETAILS

PAGE NO: